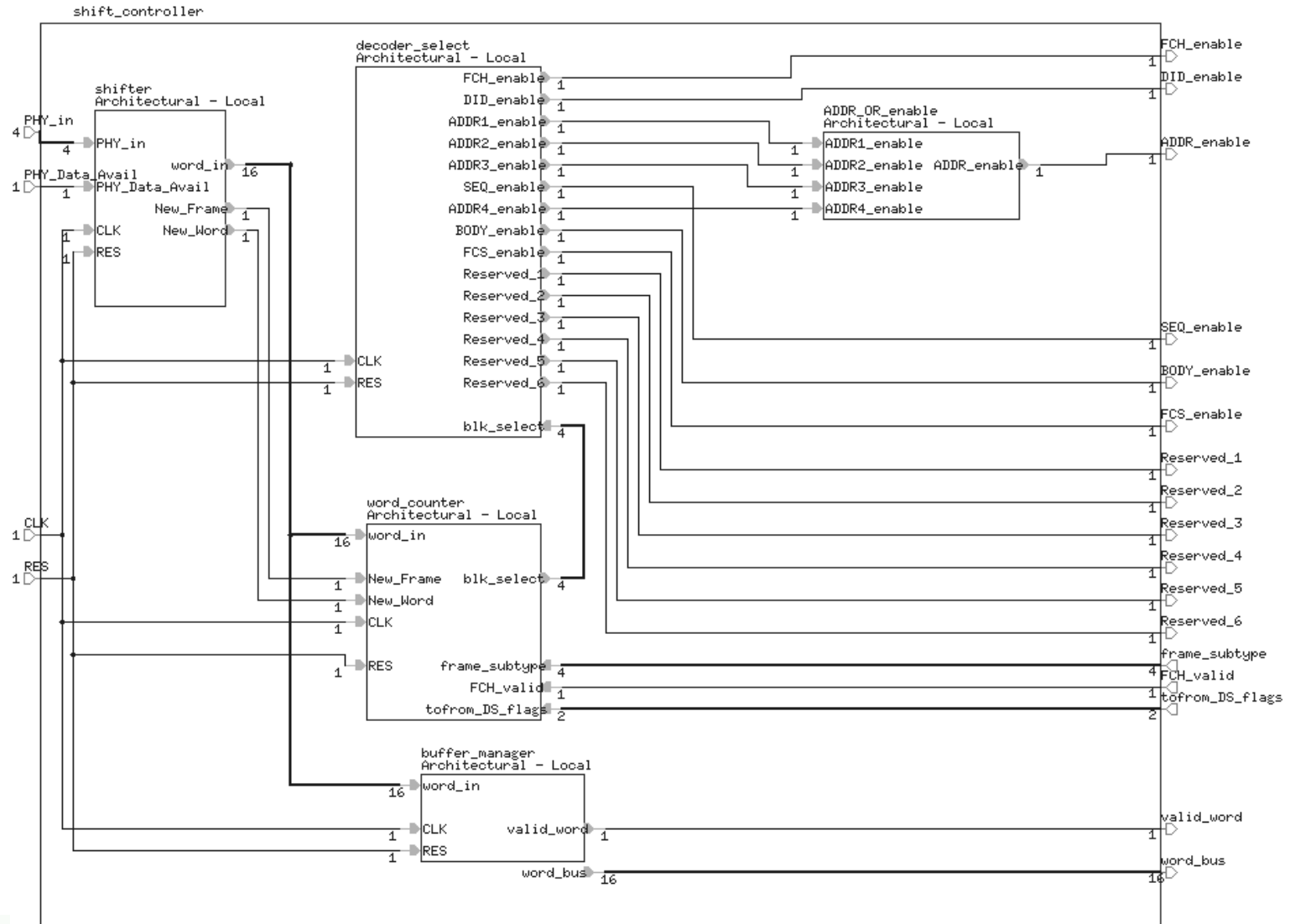


# Design Application – Block Diagram-1



# Design Application – Block Diagram-2

