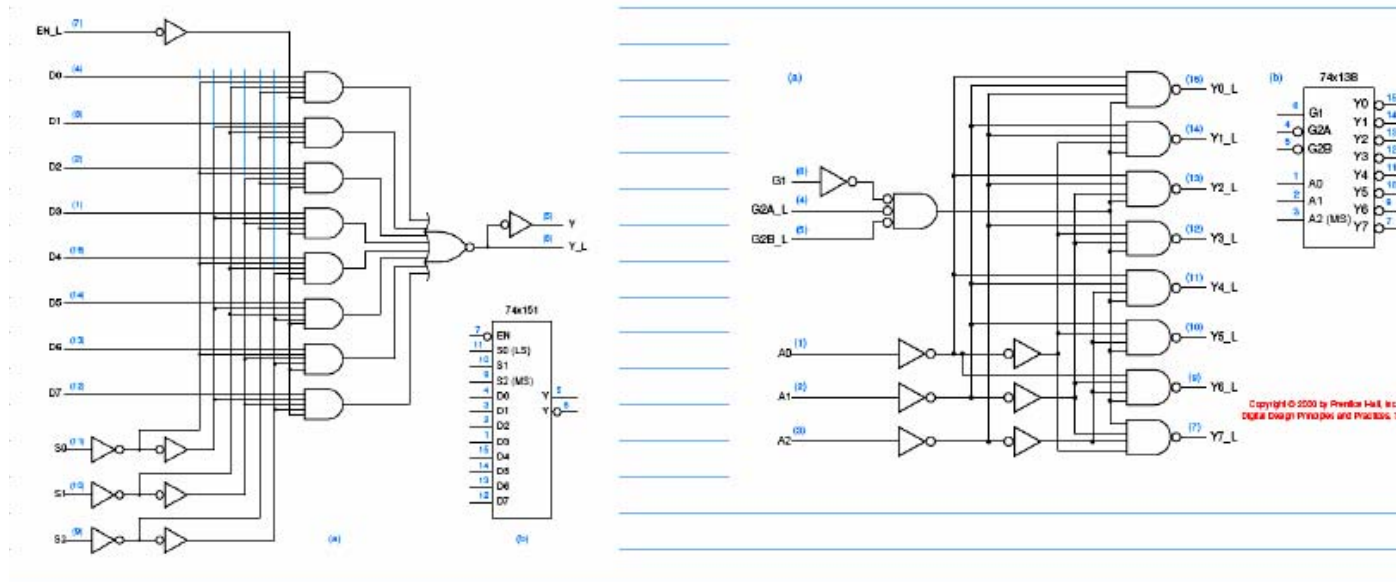


Quiz 9 CSCE 211 2009-04-08

Consider the multiplexer and decoder/demultiplexer in the figure below.



Suppose that EN_L, G2A_L, and G2B_L are all low (0).

Draw a line connecting Y with G1 in the figure above.

Let (S0,S1,S2) be (0,0,0). Let (A0,A1,A2) be (1,1,1). What is the value of Y7_L?

Choose from:

1. zero (0)
2. one (1)
3. D7'
4. D0'
5. D4'

Answer: D0' See notes for lecture of April 8, 2009 for the full solution.